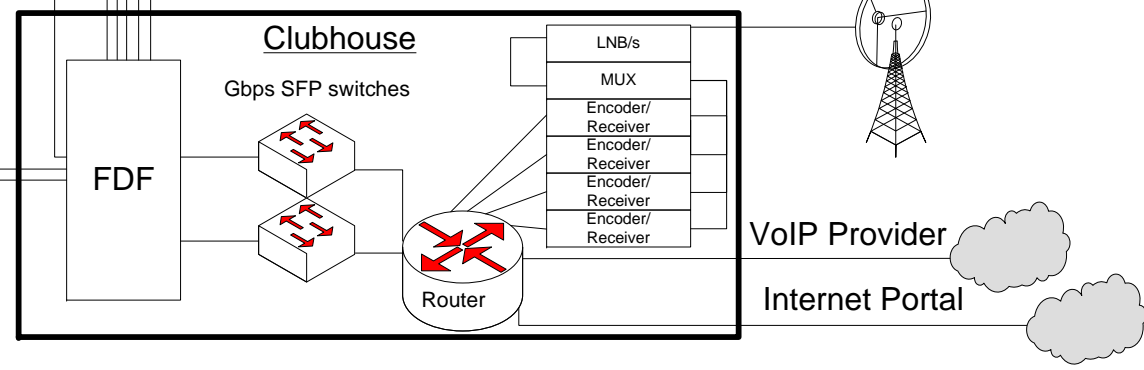


BDF – Building Distribution Frame
UDF – Unit Distribution Frame
FDF – Fiber Distribution Frame



REV	DESCRIPTION	DATE	BY	FOR
2.0	PROPOSAL 01 - ORIGINAL DESIGN FOR CUSTOMER REVIEW	01 OCT 2008	JG	JG

APPROVALS		DATE
DRAWN BY	J. GALLAGHER	01 OCT 2008
DESIGNED BY	J. GALLAGHER	01 OCT 2008
APPROVED BY		
ORIGINAL DRAWING DATE		01 OCT 2008

NOT FOR REPRODUCTION COPYRIGHT 2008
 This document contains proprietary information that is property of TELECT, INC., Spokane, Washington. It is intended for the exclusive use of our customer for information, installation, and/or service. The recipient agrees not to reproduce or copy this document or its contents in whole or in part without prior written permission from TELECT, INC. This document must be returned promptly if no longer needed or upon written request from TELECT, INC.

Telect 1730 N. Madson Street / P.O. Box 665
 Liberty Lake, Washington 99019
 (509) 926-6000
 www.telect.com

TITLE: MDU
 CENTRALIZED SWITCHING ARCHITECTURE
 SINGLE LINE NETWORK ARCH.

DWG TYPE	PART NO.	DWG SIZE	ISSUE
C		B	2
PROJECT	VISIO DWG	SCALE 0.0625	SHEET 1 OF 1