

# 20in Chassis, Flush or Surface Mount

## Cover Included

MG-CHASSIS-20-A

### Overview

The heart of a structured cabling system, this base cabinet mounts between standard studs in a wall, creating a flush-mount solution that's unobtrusive yet still provides ample space for connectivity, switches/routers and associated cabling. This unit can also be surface mounted for retrofits or for a secure backboard installation.

### Primary Benefits

- Mounts between 16" wall studs for simple compatibility
- Flush-mount or surface-mount installation enhances versatility
- Standard cabinet holds three hinged carriers for a total of 12 modules (96 CAT5/6 terminations)
- All Telect Media Gateway modules are compatible, including AC power box

### Features

- AC power outlet knockout for duplex receptacle mounting
- Flanged cover hides rough edges of drywall openings in recessed mounted installations
- Supports surface mounted and flush mounted installations
- Multiple oversized cable entry holes provide ample access
- UL listed
- Drywall thickness indicator ensures quick and accurate depth positioning
- Removable door with optional lock assembly for secure installations
- Rear cable entry holes for surface-mount installations
- Uses all standard hinged carriers and Telect Media Gateway modules
- Standard mounting spaces for all Telect Media Gateway enclosures
- Abundant lances to accommodate standard Velcro tie straps for cable management



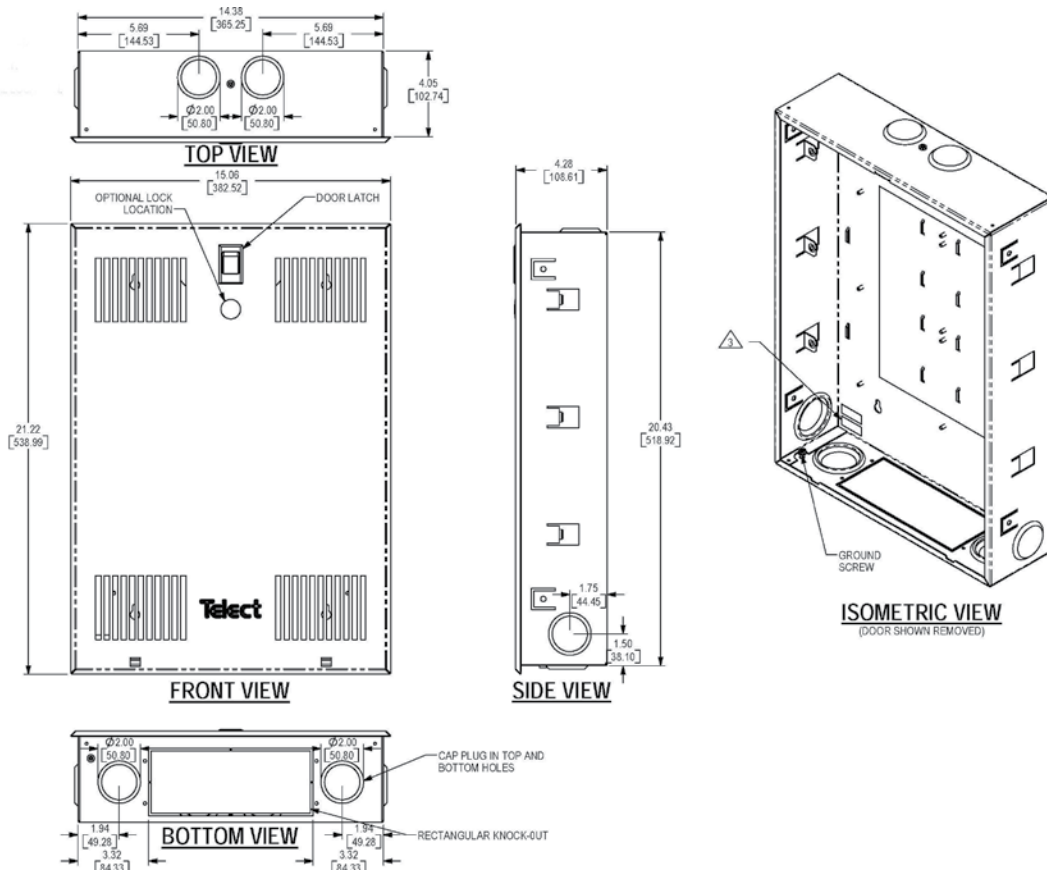
# 20in Chassis, Flush or Surface Mount

## Cover Included

MG-CHASSIS-20-A

### Ordering Information

Description	Dimensions	Part Number
Chassis (with cover), 20in	20.43" x 14.33" x 4.28"	MG-CHASSIS-20-A
Lock (optional), Keyed	n/a	MG-LOCK-A
AC Power Module, Surge	8.42" x 3.46" x 3.09"	MG-AC-POWER-S-A
AC Power Module, Non-Surge	8.42" x 3.46" x 3.09"	MG-AC-POWER-A
Carrier, Hinged (holds 4 modules)	13.98" x 5.47" x 2.31"	MG-CARRIER-4



MG-AC-POWER-S



MG-CARRIER-4